



US00D641287S

(12) **United States Design Patent**  
**Halajko et al.**

(10) **Patent No.:** **US D641,287 S**

(45) **Date of Patent:** **\*\* Jul. 12, 2011**

(54) **AUTOMOBILE**

(75) Inventors: **Terry Eugene Halajko**, Winnipeg (CA);  
**David Michael Bernhardt**, Winnipeg  
(CA); **Bouko James Kor**, Winnipeg  
(CA)

(73) Assignee: **Kor Ecologic Inc**, Winnipeg, MB (CA)

(\*\*) Term: **14 Years**

(21) Appl. No.: **29/379,892**

(22) Filed: **Nov. 25, 2010**

(30) **Foreign Application Priority Data**

May 28, 2010 (CA) ..... 135595

(51) **LOC (9) Cl.** ..... **12-08**

(52) **U.S. Cl.** ..... **D12/85**

(58) **Field of Classification Search** ..... D12/86,  
D12/85, 1, 3; D21/424, 433, 434; 280/181.1,  
280/181.5

See application file for complete search history.

(56) **References Cited**

**U.S. PATENT DOCUMENTS**

D268,920 S *	5/1983	Bragdon	.....	D12/86
D329,211 S *	9/1992	Malewicki	.....	D12/85
D362,208 S *	9/1995	Gangnant	.....	D12/86
D427,548 S *	7/2000	Sacco et al.	.....	D12/85
D433,652 S *	11/2000	van den Reek	.....	D12/86
D469,037 S *	1/2003	Hanagan et al.	.....	D12/85
D550,588 S *	9/2007	Starr	.....	D12/85

D589,844 S *	4/2009	Aube et al.	.....	D12/85
D614,083 S *	4/2010	Wainfan	.....	D12/86
D633,821 S *	3/2011	Hill et al.	.....	D12/85

\* cited by examiner

*Primary Examiner* — Melody N Brown

(74) *Attorney, Agent, or Firm* — Adrian D. Battison; Ade & Company Inc.

(57) **CLAIM**

The ornamental design for an automobile, as shown and described.

**DESCRIPTION**

FIG. 1 is a top, front and side perspective showing the design. FIG. 2 is a top, rear and opposite side perspective showing the design.

FIG. 3 is a top plan view of the automobile showing the design.

FIG. 4 is a side elevational view of the automobile showing the design.

FIG. 5 is a opposite side elevational view of the automobile showing the design.

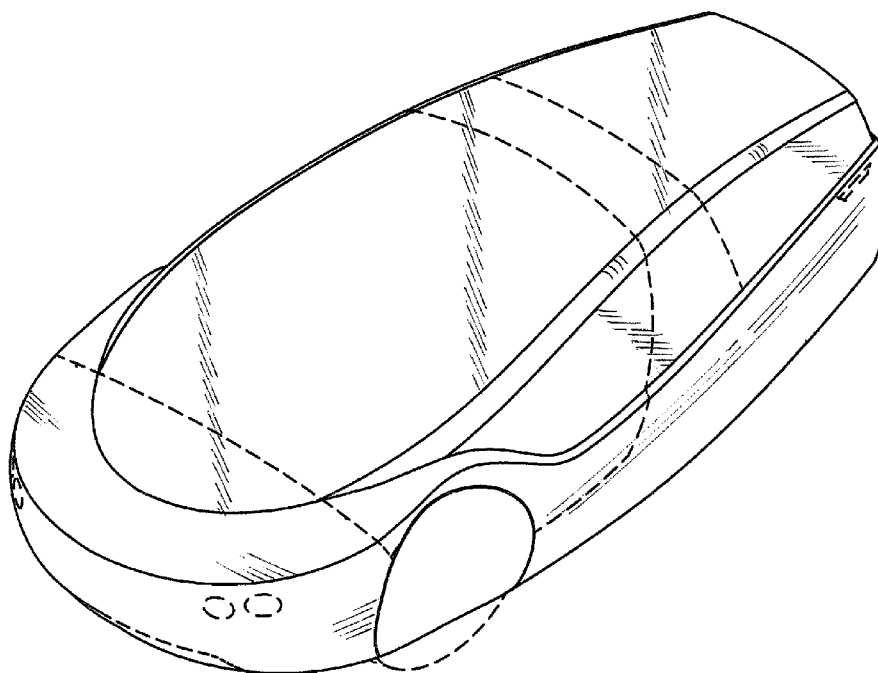
FIG. 6 is a front elevational view of the automobile showing the design.

FIG. 7 is a rear elevational view of the automobile showing the design; and,

FIG. 8 is a bottom plan view of the automobile showing the design.

The broken lines shown throughout the drawings are for illustrative purposes only and form no part of the claimed design.

**1 Claim, 8 Drawing Sheets**



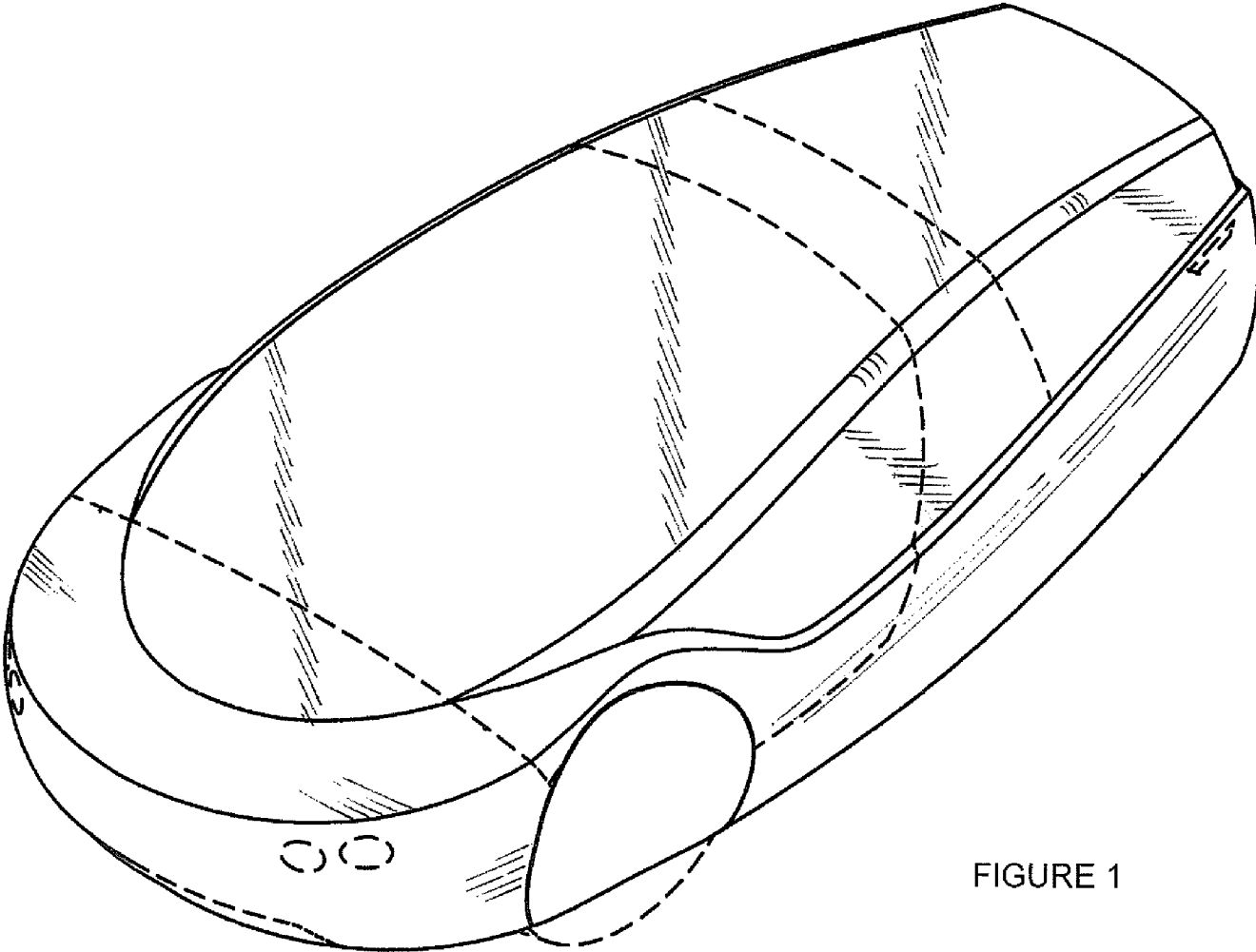


FIGURE 1

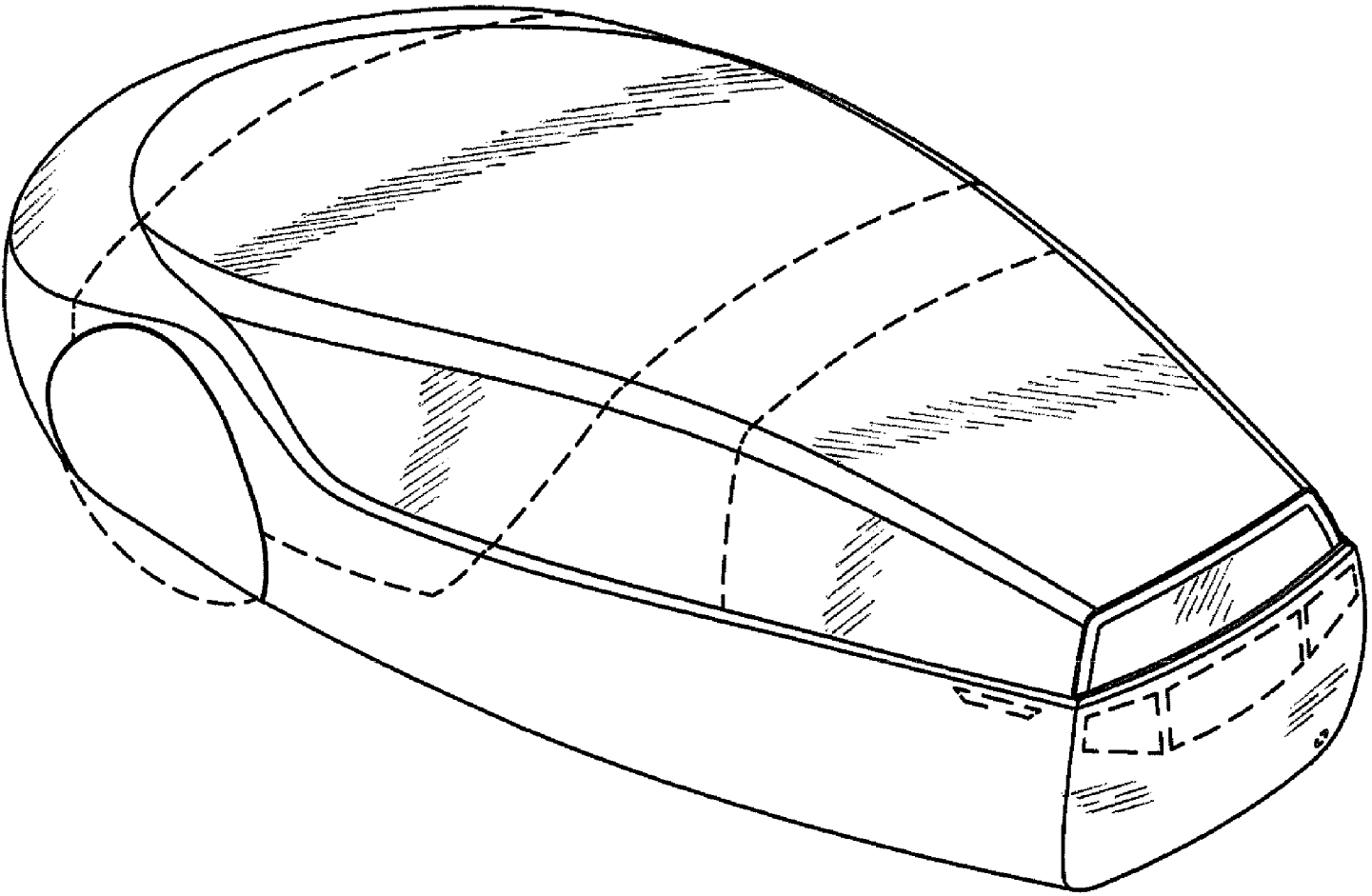


FIGURE 2

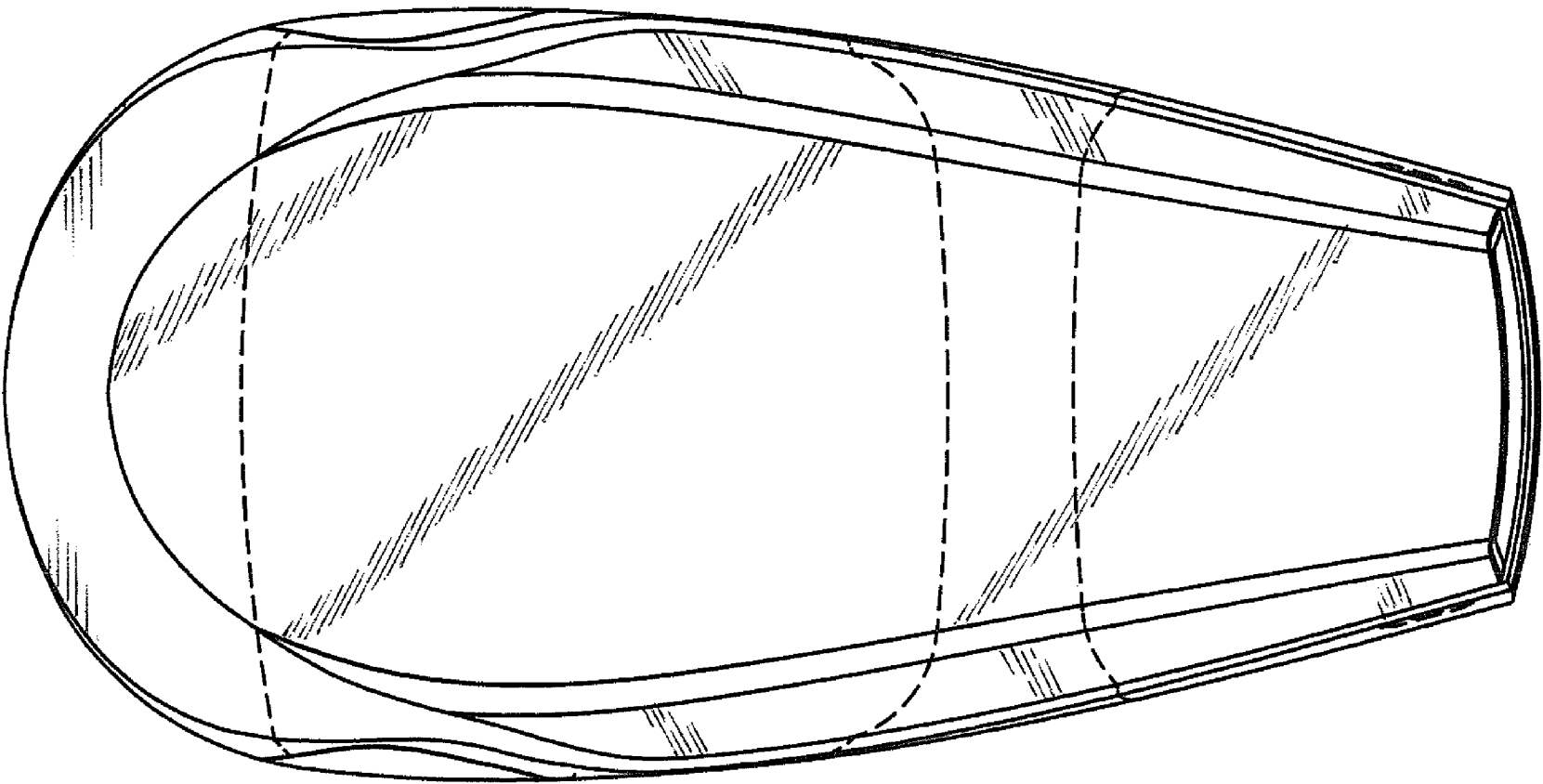


FIGURE 3

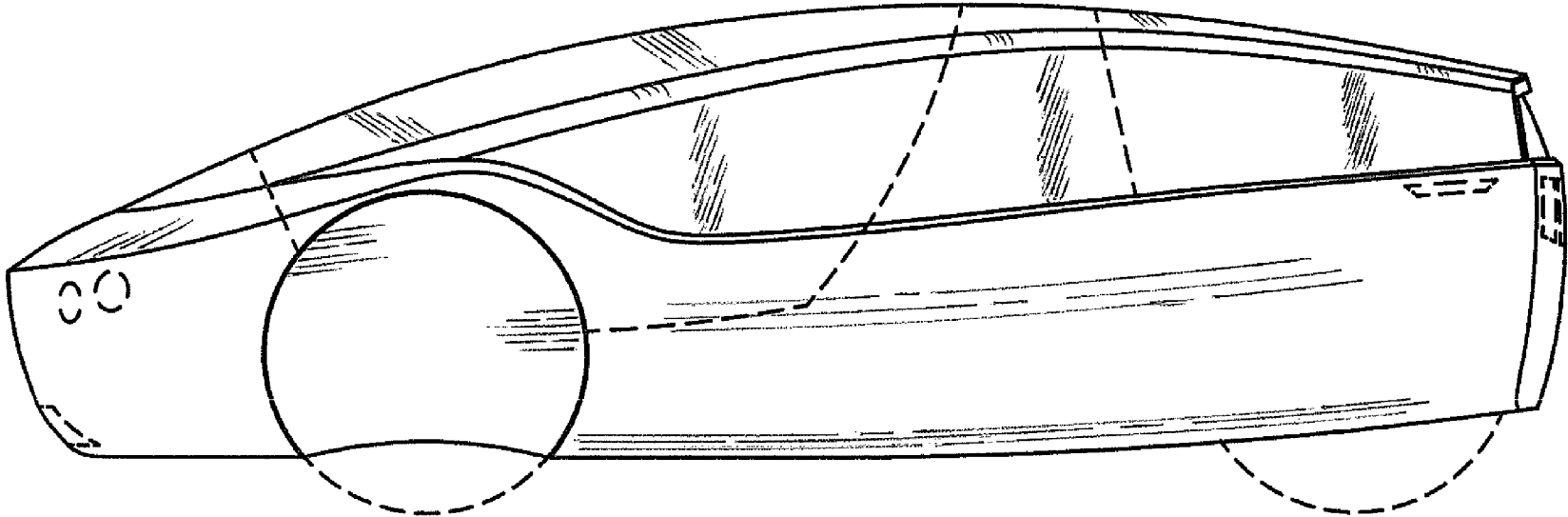


FIGURE 4

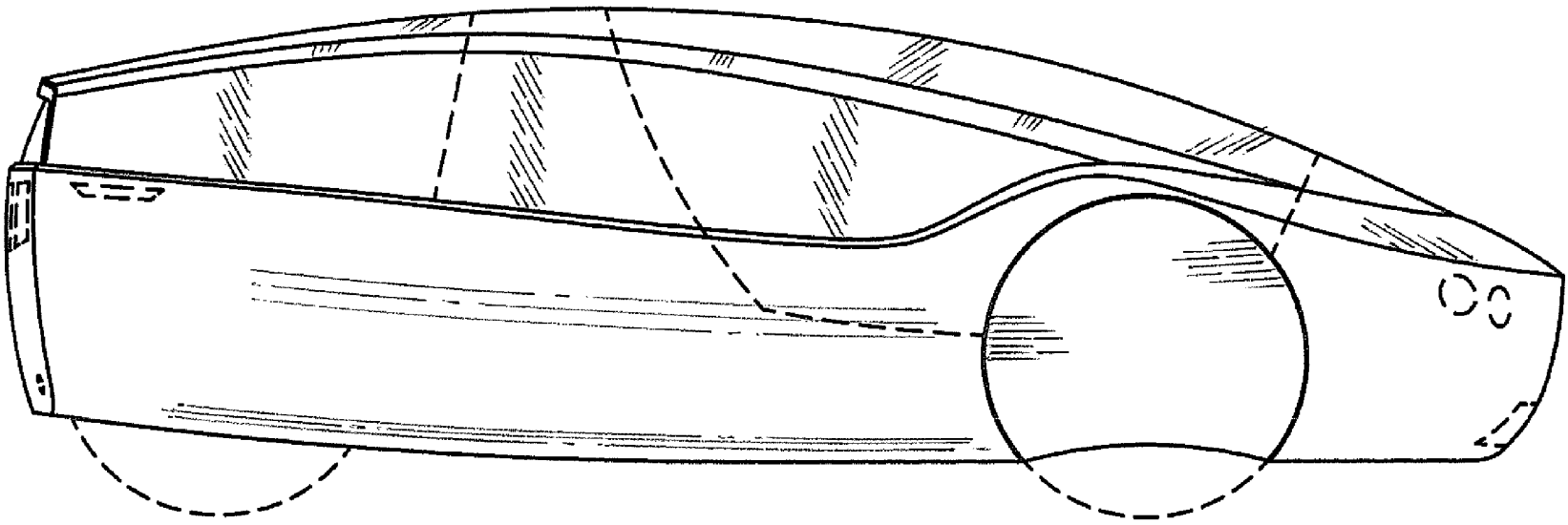


FIGURE 5

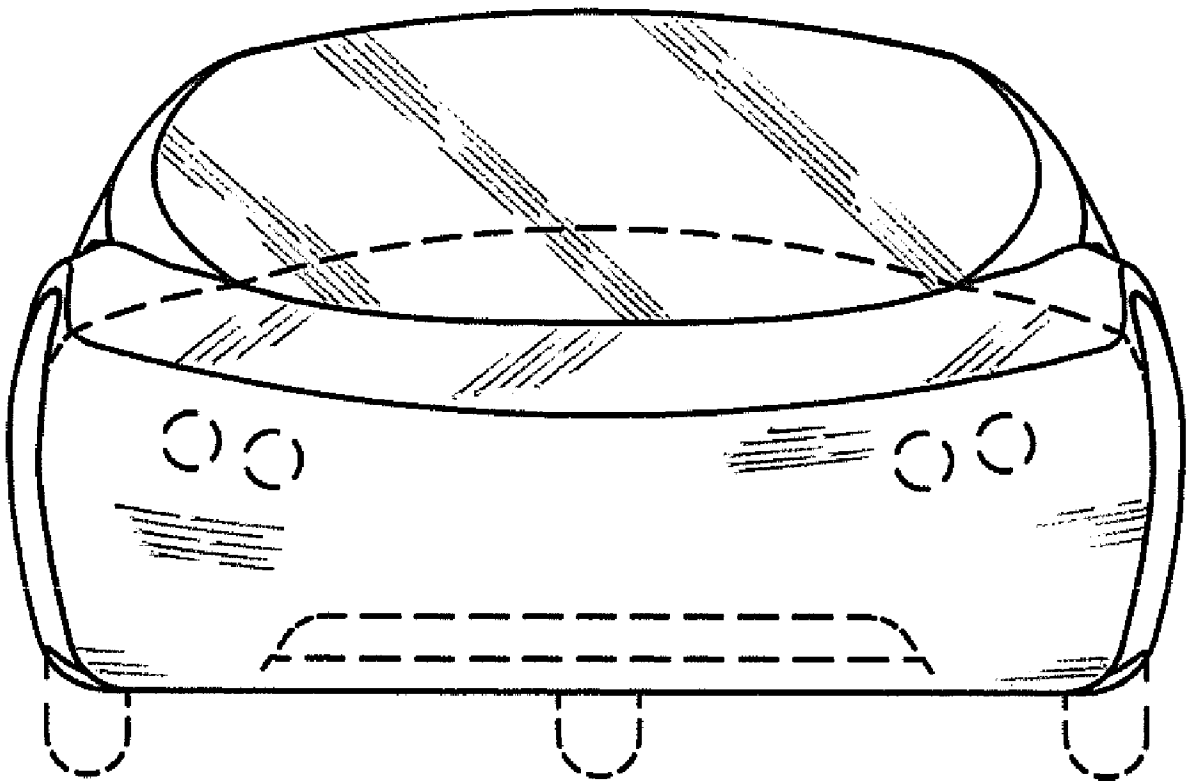


FIGURE 6

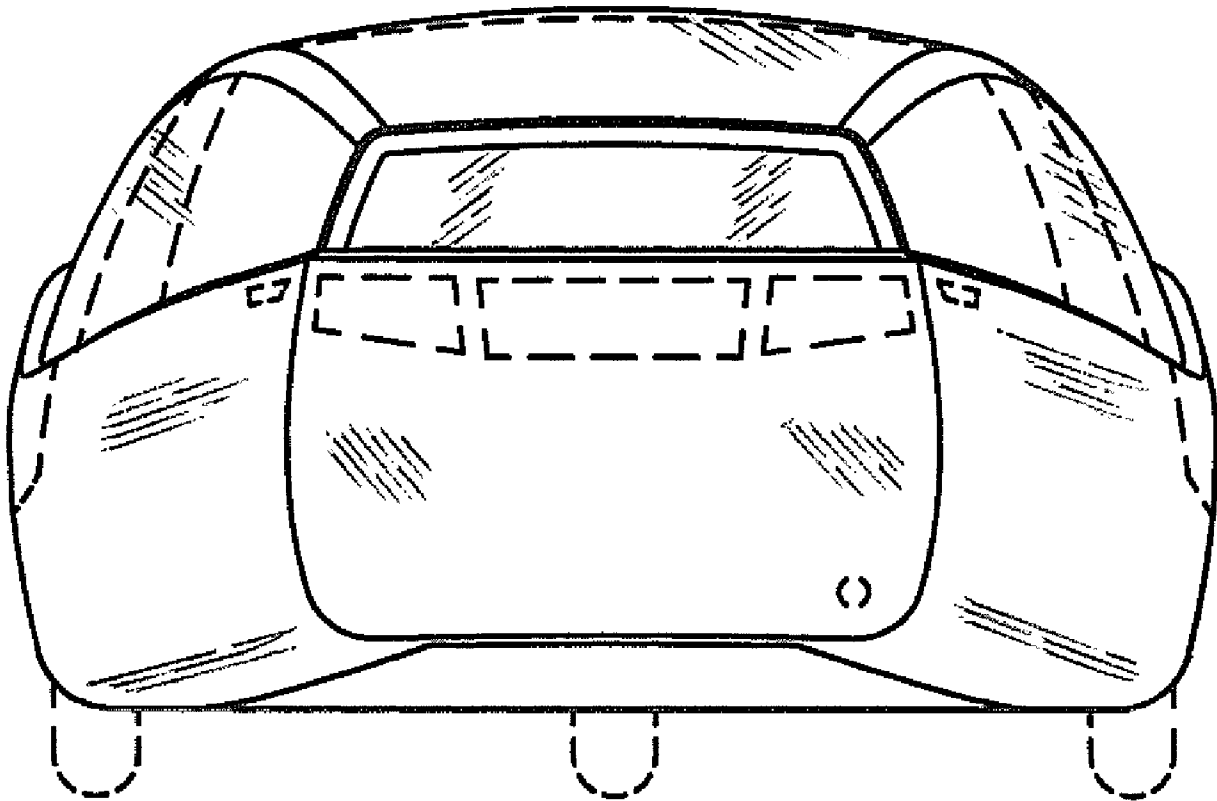


FIGURE 7



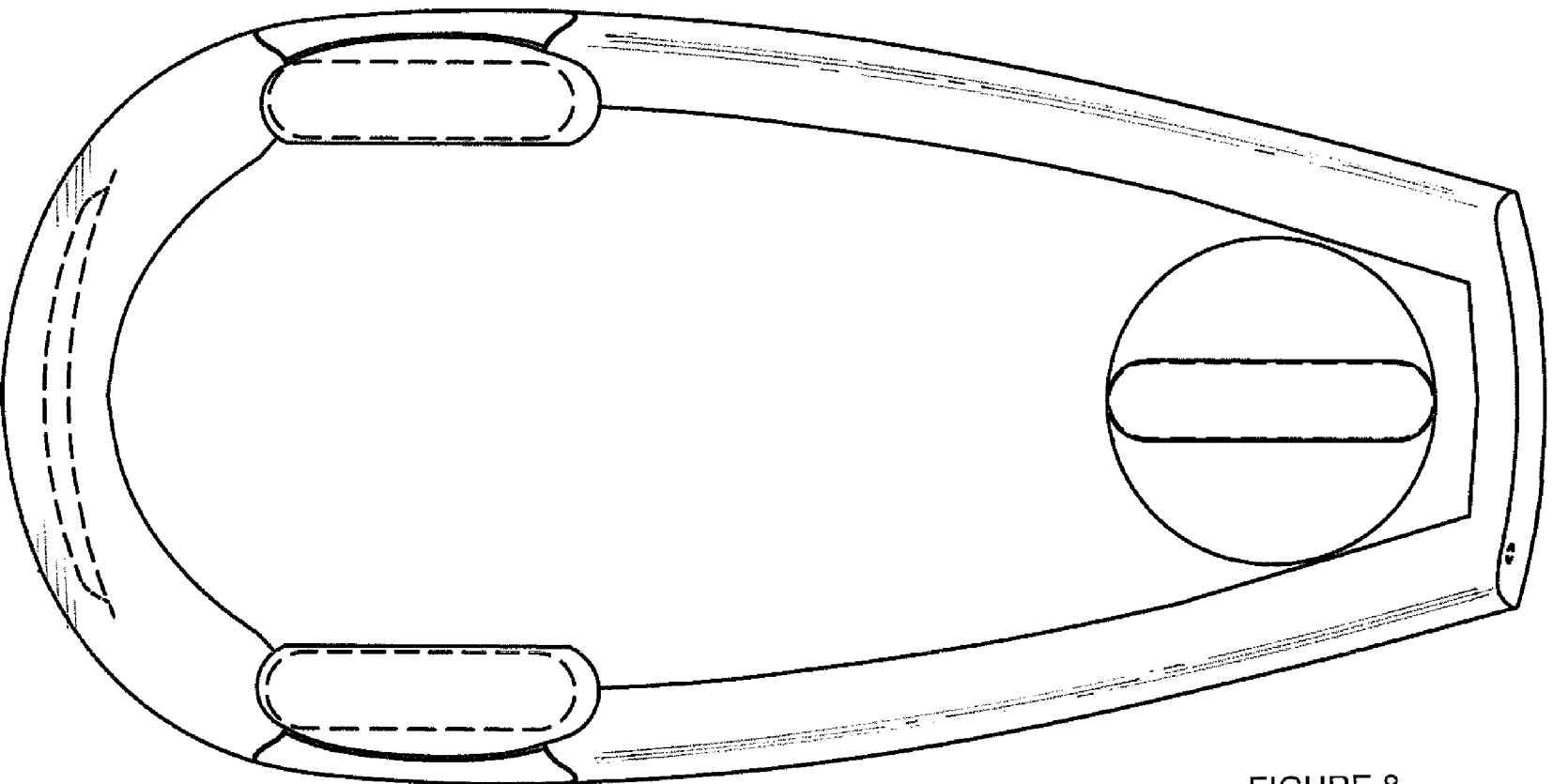


FIGURE 8